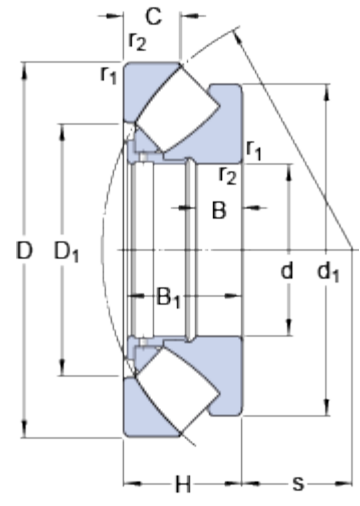




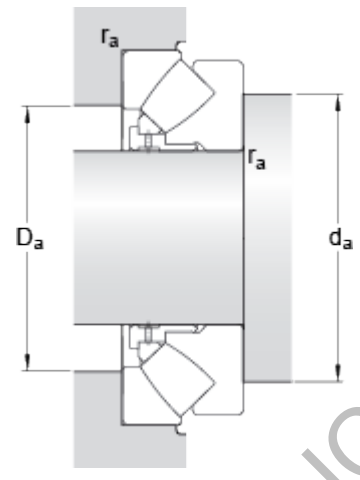
294/800 EF

Dimensions



d	800	mm
D	1360	mm
H	335	mm
d ₁	≈ 1250	mm
D ₁	≈ 1034	mm
B	123	mm
B ₁	324	mm
C	165	mm
s	462	mm
r _{1,2}	min. 15	mm

Abutment dimensions



d _a	min. 1080	mm
D _a	max. 1185	mm
r _a	max. 12	mm

Calculation data

Basic dynamic load rating	C	20200	kN
Basic static load rating	C ₀	93000	kN
Fatigue load limit	P _u	5850	kN
Reference speed		190	r/min
Limiting speed		360	r/min
Minimum axial load factor	A	820	

Mass

Mass bearing	2025	kg
--------------	------	----